

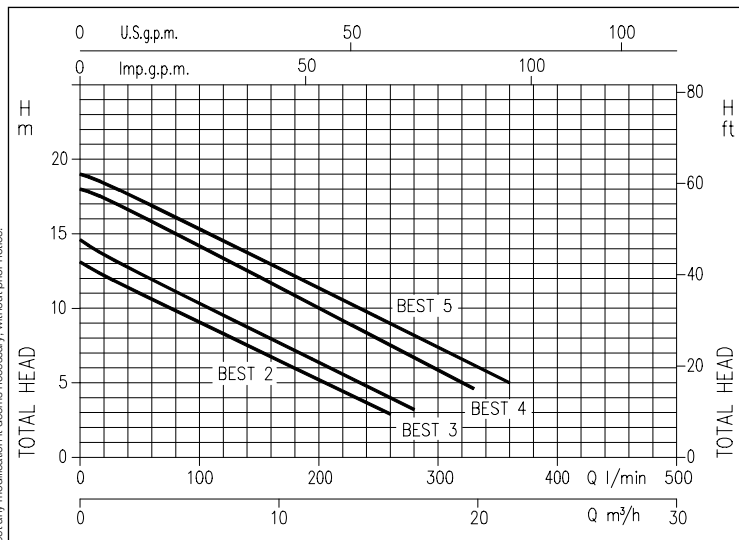
BEST 2-5

SUBMERSIBLE ELECTRIC PUMPS

in AISI 304 stainless steel



PERFORMANCE CURVES (per ISO 9906 Annex A)



Submersible electric pumps in AISI 304 stainless steel throughout.

APPLICATIONS

- Handling infiltration water
- Draining cellars, garages and submerged areas
- Draining small and medium size construction sites

TECHNICAL FEATURES

- Versatile
- Suited to fixed and mobile installations
- Fitted with 10 m power cable, type H07 RN-F
- Available with/without float switch

TECHNICAL DATA

- Maximum submersion: 7 m
- Maximum fluid temperature: 35°C
- Maximum solid dimensions: 10 mm
- 2 pole self-ventilating asynchronous motors
- Insulation class F
- Protection rating IP68
- Single phase voltage 230V ±10% 50Hz
- three-phase voltage 400V ±10%, 50Hz
- Permanently active condenser and integrated automatic re-arming thermal cutout for the single phase motor
- Protection must be supplied by the user for the three-phase version
- Delivery connection G1½

MATERIALS

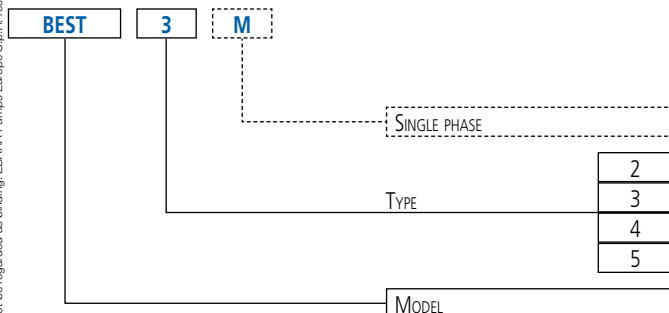
- Pump body, impeller, suction grille, motor cover, gasket disk and motor casing in AISI 304 stainless steel
- Shaft made of AISI 303 stainless steel (part in contact with liquid)
- Double mechanical seal with oil chamber:
 - upper seal in Carbon/Ceramic/NBR (motor side)
 - lower seal in SiC/SiC/NBR (pump side)

SPECIAL VERSIONS

- MA version with float switch

For accessories and electrical enclosures, see page 151 onwards

IDENTIFICATION CODE



The contents of this publication should not be regarded as binding. EBARA Pumps Europe S.p.A. reserves the right to effect any modification it deems necessary, without prior notice.

BEST 2-5

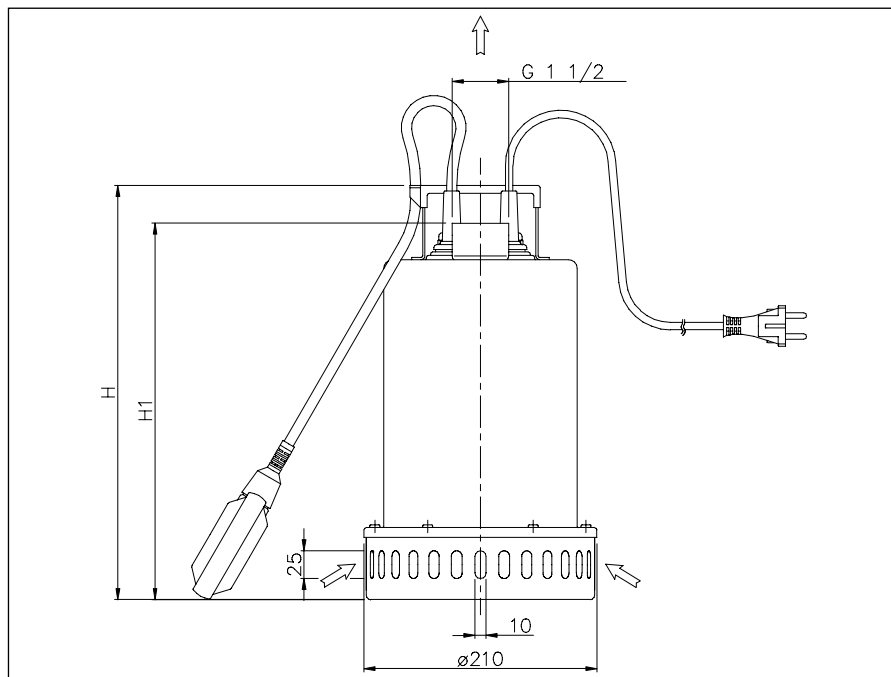
SUBMERSIBLE ELECTRIC PUMPS

in AISI 304 stainless steel

PERFORMANCE TABLE

Model	P ₁	Capacitor	Abs. Curr. [A]	Q=Flow rate																				
				Single phase 230V	Three phase 400V	[HP]	[kW]	μF	Vc	1~	3~	l/min	20	40	80	120	160	170	200	260	280	300	330	360
								H=Head [m]																
BEST 2 M	BEST 2	0.75	0.55	16	450	4.4	2	12.2	11.4	9.8	8.3	6.7	6.3	5.0	2.9	-	-	-	-	-	-	-	-	-
BEST 3 M	BEST 3	1	0.75	20	450	5.6	2.4	13.6	12.7	11.1	9.5	7.9	7.6	6.4	4.0	3.2	-	-	-	-	-	-	-	-
BEST 4 M	BEST 4	1.5	1.1	30	450	7.3	3	17.4	16.6	15.0	13.4	11.7	11.3	10.0	7.5	6.7	5.9	4.6	-	-	-	-	-	-
	BEST 5	2	1.5	-	-	-	3.3	18.4	17.7	16.1	14.5	12.8	12.5	11.4	9.0	8.0	7.4	6.0	5.0	-	-	-	-	-

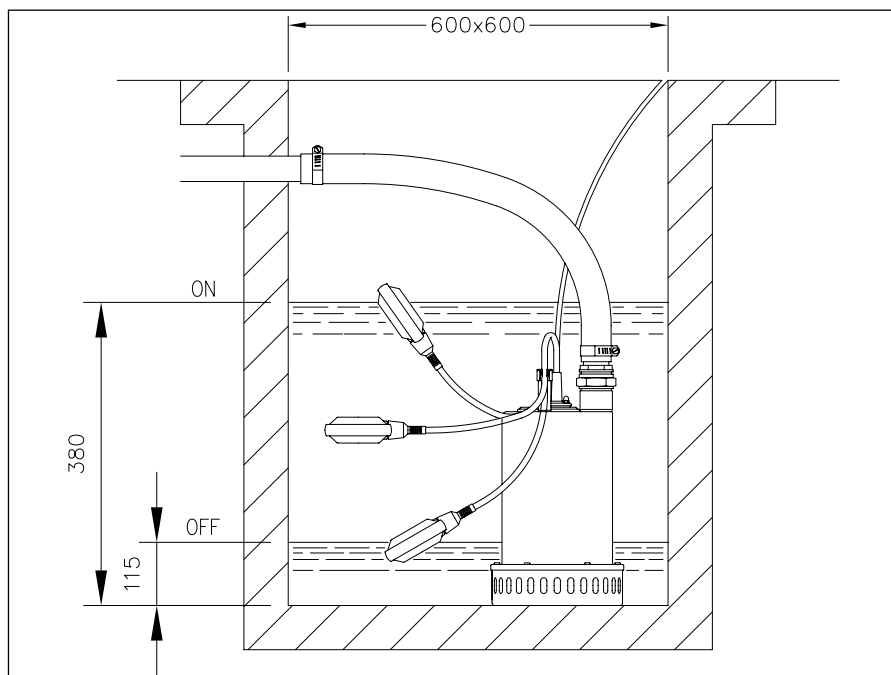
DIMENSIONS



DIMENSIONS CHART

Model	Dimensions [mm]	Weight [kg]	
	H	H1	
BEST 2	352	315	12.0
BEST 3	352	315	12.7
BEST 4	377	340	13.8
BEST 5	377	340	13.5

INSTALLATION

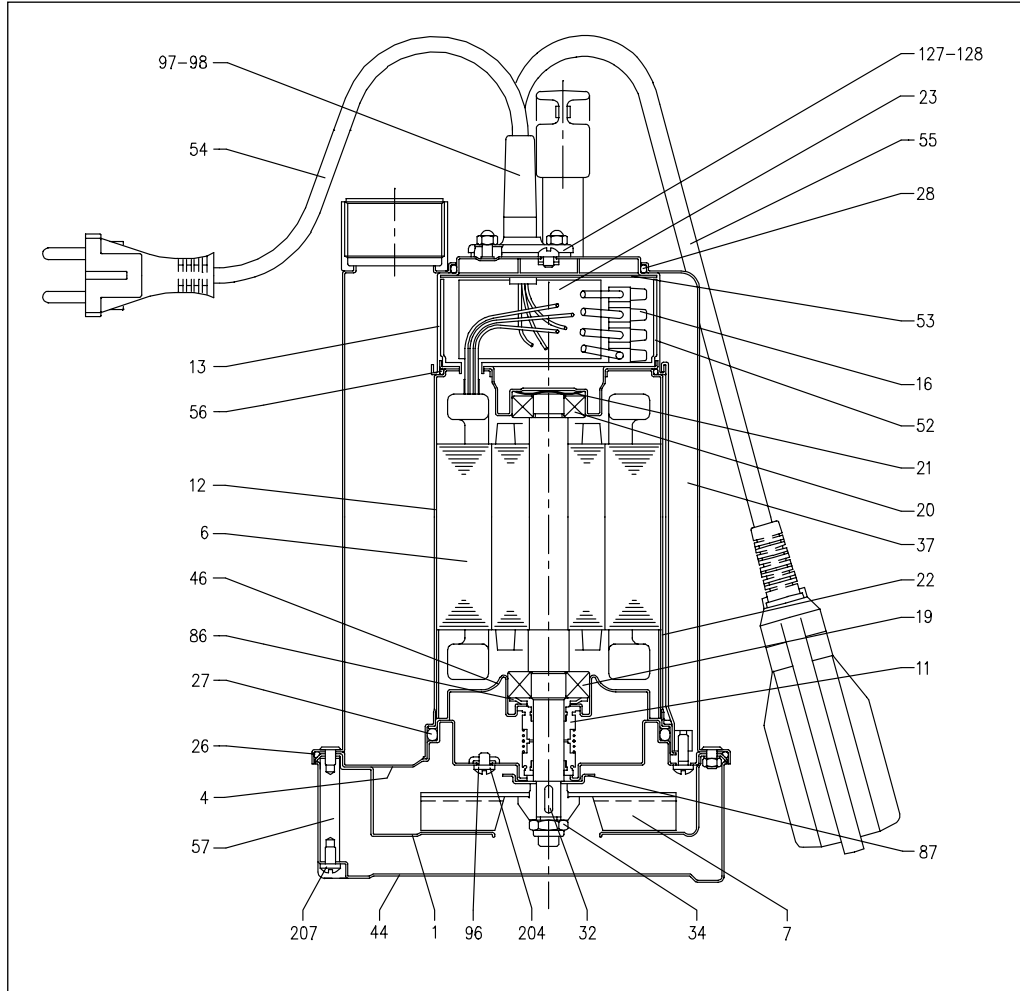


BEST 2-5

SUBMERSIBLE ELECTRIC PUMPS

in AISI 304 stainless steel

SECTIONAL VIEW



MATERIALS TABLE

Ref.	Name	Material	Ref.	Name	Material
1	Volute	AISI 304 stainless steel	37	External jacket	AISI 304 stainless steel
4	Motor mount	AISI 304 stainless steel	44	Filter	AISI 304 stainless steel
6	Shaft with rotor	AISI 303 stainless steel	46	Bearing mount	AISI 304 stainless steel
7	Impeller	AISI 304 stainless steel	52	Capacitor mount box	PA66 reinforced with glass fibre
11	Mechanical seal	NBR	53	Box cover	PA66
12	Motor casing	-	54	Cable	-
13	Motor cover	AISI 304 stainless steel	55	Float switch	-
16	Box	-	56	O-ring	NBR
19	Pump side bearing	-	57	Nut	AISI 303 stainless steel
20	Fan side bearing	-	86	Washer	AISI 304 stainless steel
21	Compensator ring	C70 steel	87	Clearance ring	AISI 304 stainless steel
22	Linkage	AISI 304 stainless steel	96	O-ring	NBR
23	Capacitor	-	97	Cable gland	NBR
26	O-ring	NBR	98	Cable gland	NBR
27	O-ring	NBR	127	Cable gland	AISI 304 stainless steel
28	O-ring	NBR	128	Cable gland	AISI 304 stainless steel
32	Key	AISI 304 stainless steel	204	Bolt	Steel A2 UNI 7323
34	Impeller nut	AISI 304 stainless steel	207	Bolt	Steel A2 UNI 7323

The contents of this publication should not be regarded as binding. EBARA Pumps Europe S.p.A. reserves the right to effect any modification it deems necessary, without prior notice.