



Pompe ad asse nudo (**S/P**)  
*Bare shaft pumps (S/P)*

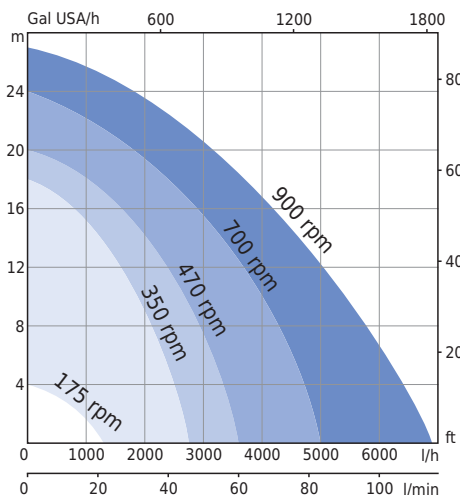


Pompe con motore idraulico orbitale (**MID**)  
*Hydraulic orbital motor pumps (MID)*

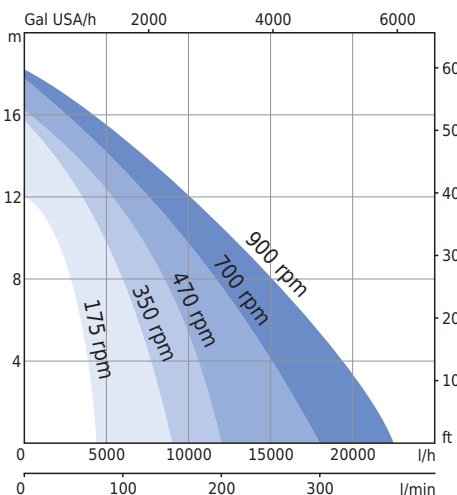
Tipo Type	Peso (S/P - MID) Weight (S/P - MID)	Giri/min Rpm	H (m) = Prevalenza / Head									
			0	4	8	12	16	18	20	24	27	
<b>S/P MINOR 40</b> <b>MID MINOR 40</b>	5.4 kg - 11.7 kg	min 175	1320	0								
		350	2750	2500	2100	1600	800	0				
		470	3600	3300	2900	2400	1600	1000	0			
		700	5000	4700	4300	3700	3000	2520	1800	0		
		max 900	6900	6200	5760	5040	4200	3660	3200	1800	0	
<b>S/P MAJOR 60</b> <b>MID MAJOR 60</b>	9.7 kg - 16 kg	min 175	4320	3840	3000	0						
		350	9000	7800	6000	3700	0					
		470	12000	10500	8700	5100	0					
		700	18000	15000	12000	8400	2500	0				
		max 900	22500	19560	15000	11220	3000	0				
<b>S/P MAXI 80</b> <b>MID MAXI 80</b>	15.7 kg - 22 kg	min 150	12000	10000	7500	0						
		300	24600	22200	18900	12000	0					
		470	36000	34200	30000	24000	12000	0				
		600	43800	41400	36000	30000	16000	0				
		max 600	43800	41400	36000	30000	16000	0				

**Q (l/h) = Portata / Capacity**

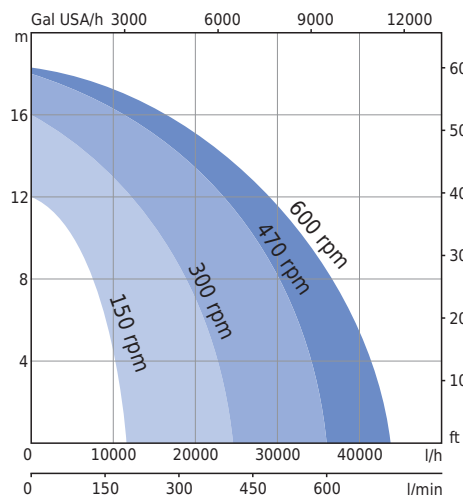
**S/P MINOR 40**  
**MID MINOR 40**



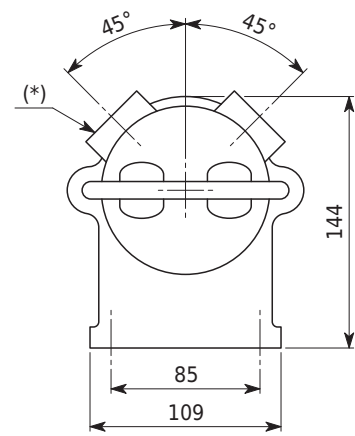
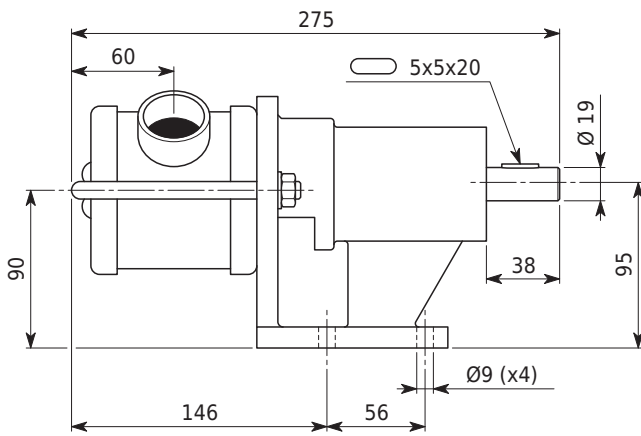
**S/P MAJOR 60**  
**MID MAJOR 60**



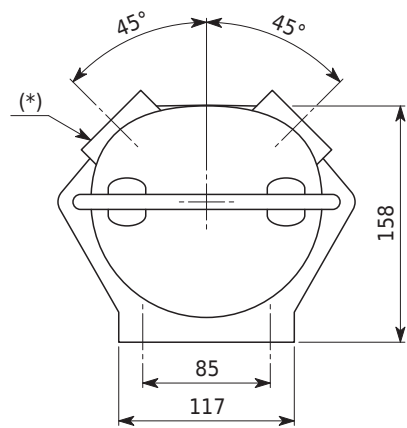
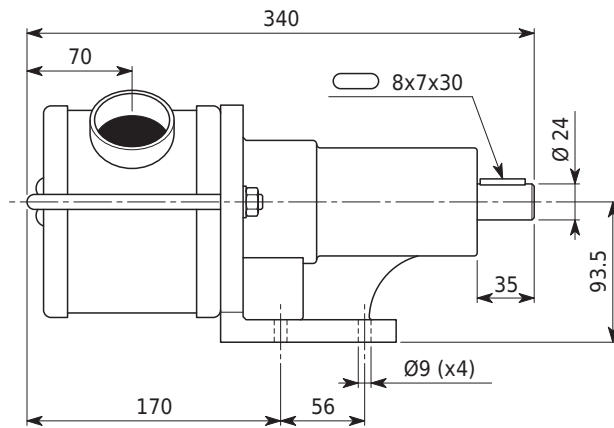
**S/P MAXI 80**  
**MID MAXI 80**



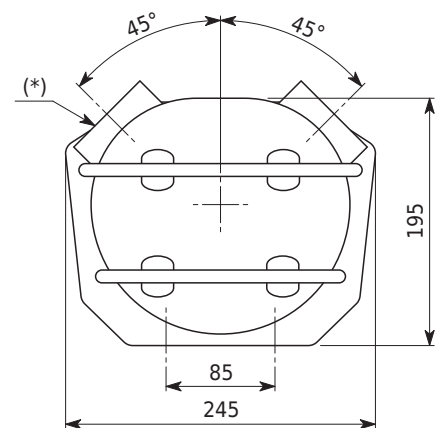
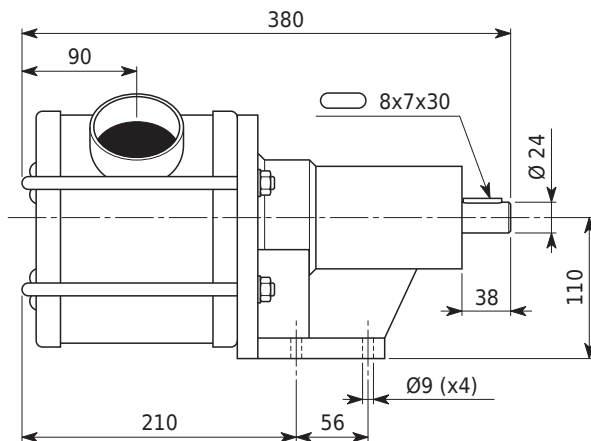
**S/P  
MINOR 40**



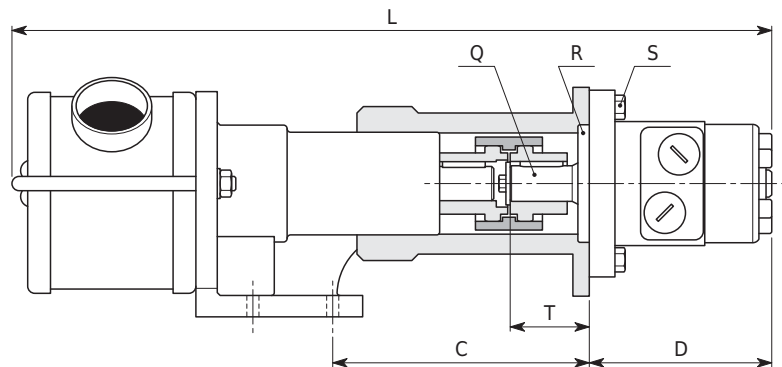
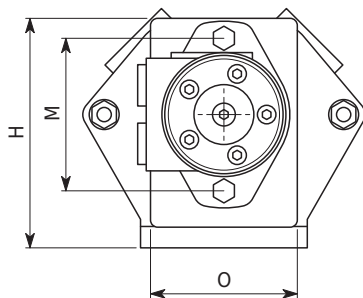
**S/P  
MAJOR 60**



**S/P  
MAXI 80**



**MID  
MINOR 40  
MAJOR 60  
MAXI 80**



Tipo / Type	C	D	H	L	M	O	Q	R	S	T
<b>MID MINOR 40</b>	142	128	160	478	106	103	Ø25 / 8x7x30	Ø82.5 / 8	M12	55.5
<b>MID MAJOR 60</b>	180	128	160	542	106	103	Ø25 / 8x7x30	Ø82.5 / 8	M12	55.5
<b>MID MAXI 80</b>	185	128	177	575	106	103	Ø25 / 8x7x30	Ø82.5 / 8	M12	55.5

(\*) raccordi disponibili p.17 / available pipe fittings p.17